



## *Little Alexandra's Cottage Deluxe*

By the Canadian Playhouse Factory

### Assembly instruction

*Before starting the installation*

*Thank you for buying a Little Alexandra's Cottage Deluxe. I'm sure the kids will love it. But before starting the installation please read below.*

- *Wear safety glasses and other safety equipment*
- *If you're working with children around, please use due diligence.*

*Inspect and make sure there is no damages. If you find a broken piece, please call us at (250) 240-8175. We will send you the replacement part within the next 5 business days. (We may need a JPEG picture to see what happened) We will cover the part and shipping cost. We will only supply the parts free of charge if you contact us within the first 30 days after you received the playhouse.*

*If you have any question about the installation, feel free to call us at (250) 240-8175.*

*We love to get pictures of your completed playhouse. In order to improve our products we like to get your feedback as well. Please email us at [cpf@playhousekits.com](mailto:cpf@playhousekits.com)*

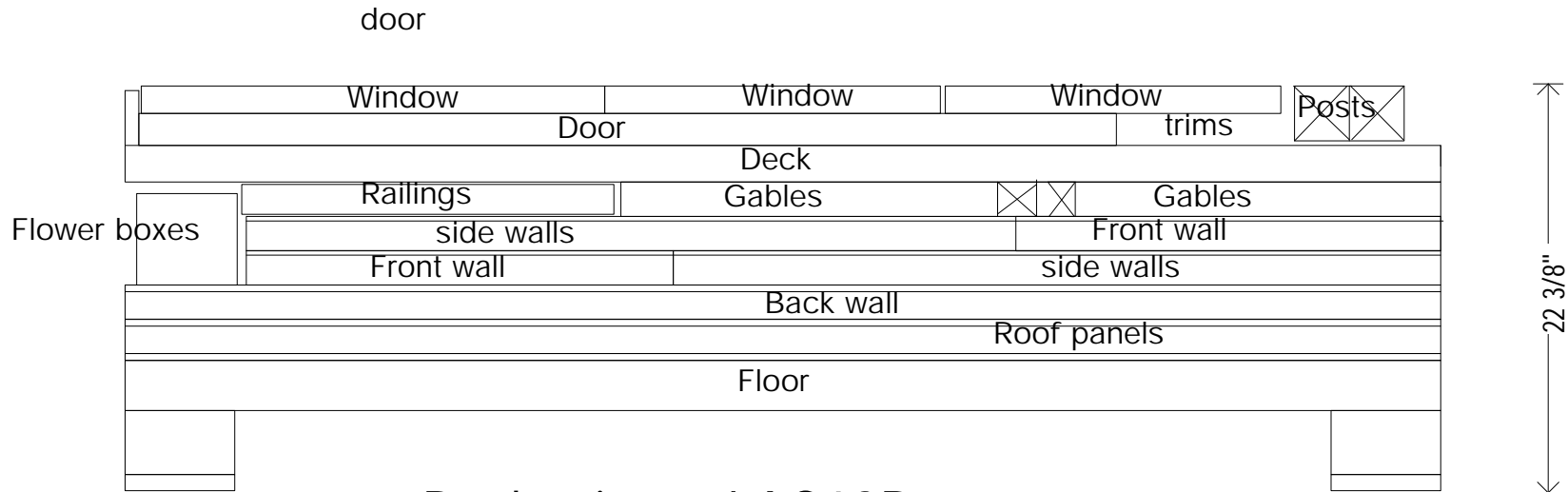
*Thank you for your business and have fun building your playhouse!!!*

*Mike Tilkin*

*President and CEO*

*Canadian Playhouse Factory Ltd.*

*“You should see what we saw”*

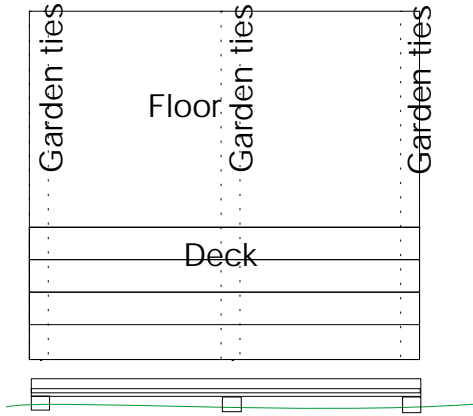


# Packaging a LAC68D

Ridge caps, fascias boards and corner trims on top beside

door

# LAC68D Assembly instruction

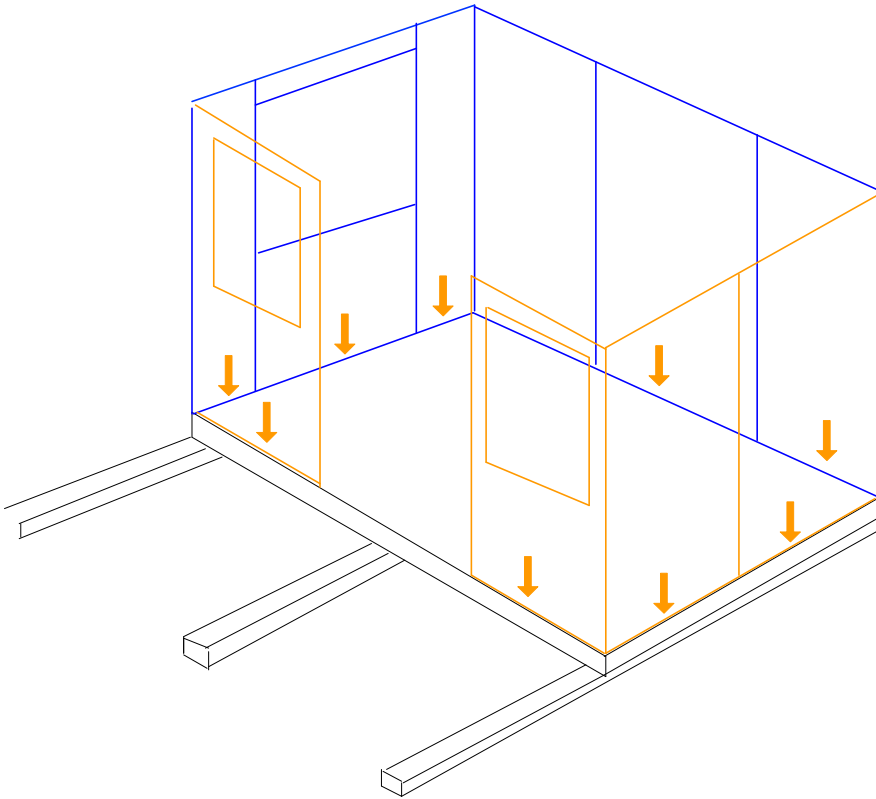


The first step is to uncrate your new playhouse and to identify all the components.

The base of the crate is the floor. Carefully remove the legs from bottom.  
Preparing the base.

There is different ways to prepare the base to locate the playhouse.

- 1) Lay 3 garden ties cut perpendicular to the floor. The playhouse floor and the deck will be set on top of it.
- 2) Level the ground and lay landscape fabric.
- 3) Use patio stones (24"x24") to support the structure.

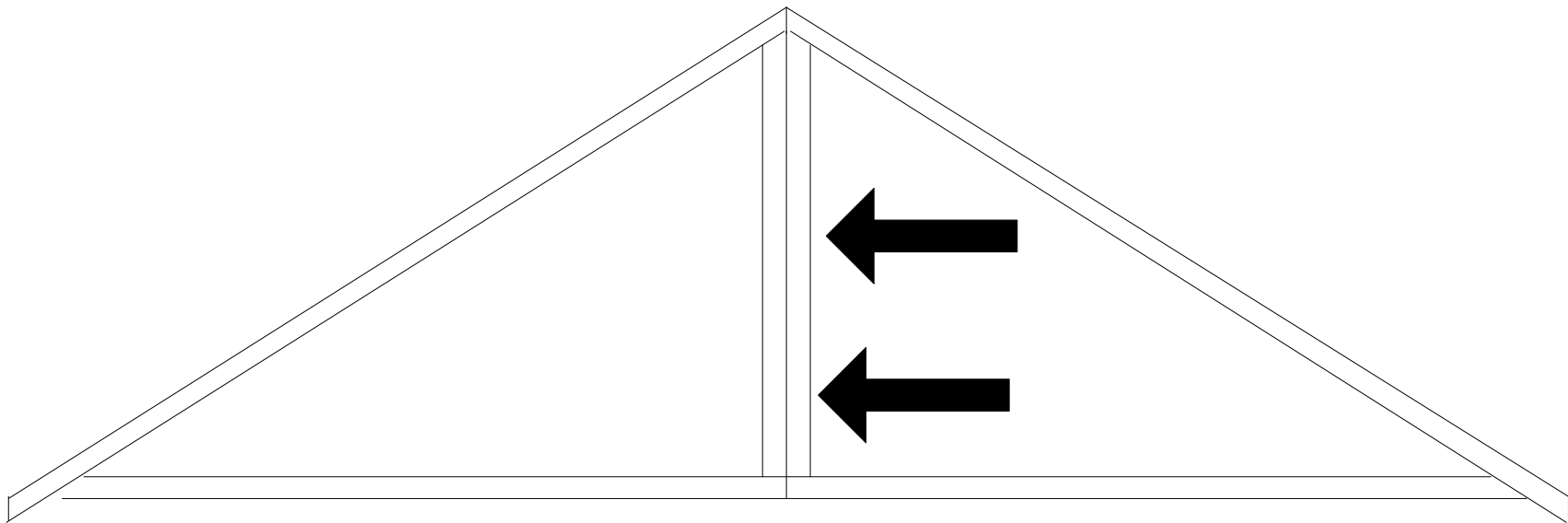


## Step 2

Set the walls on the floor perimeter and fasten them in place

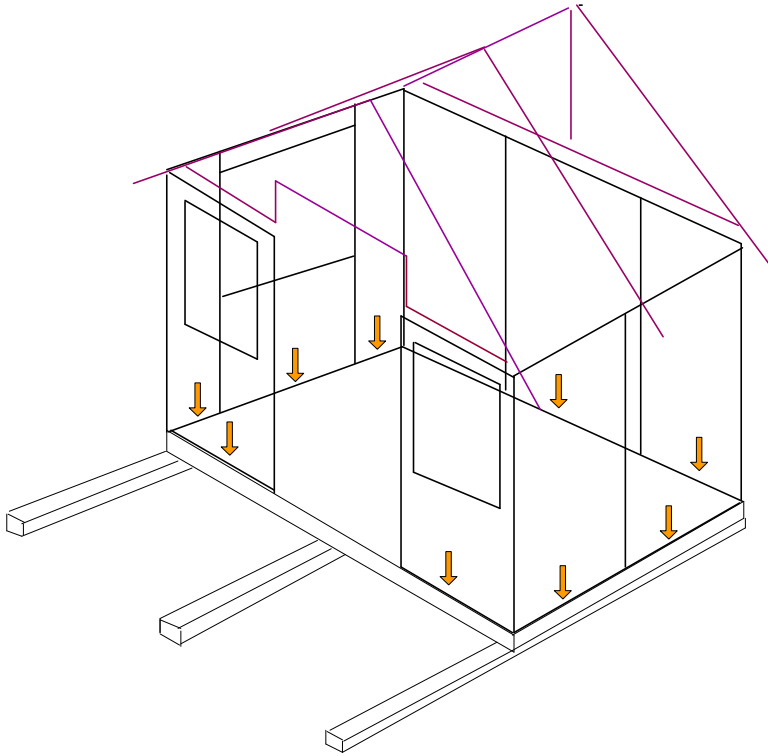
The side wall with the window can be set on either side

Do the same for all the walls.



Step 3

Join both sides of the roof gables together



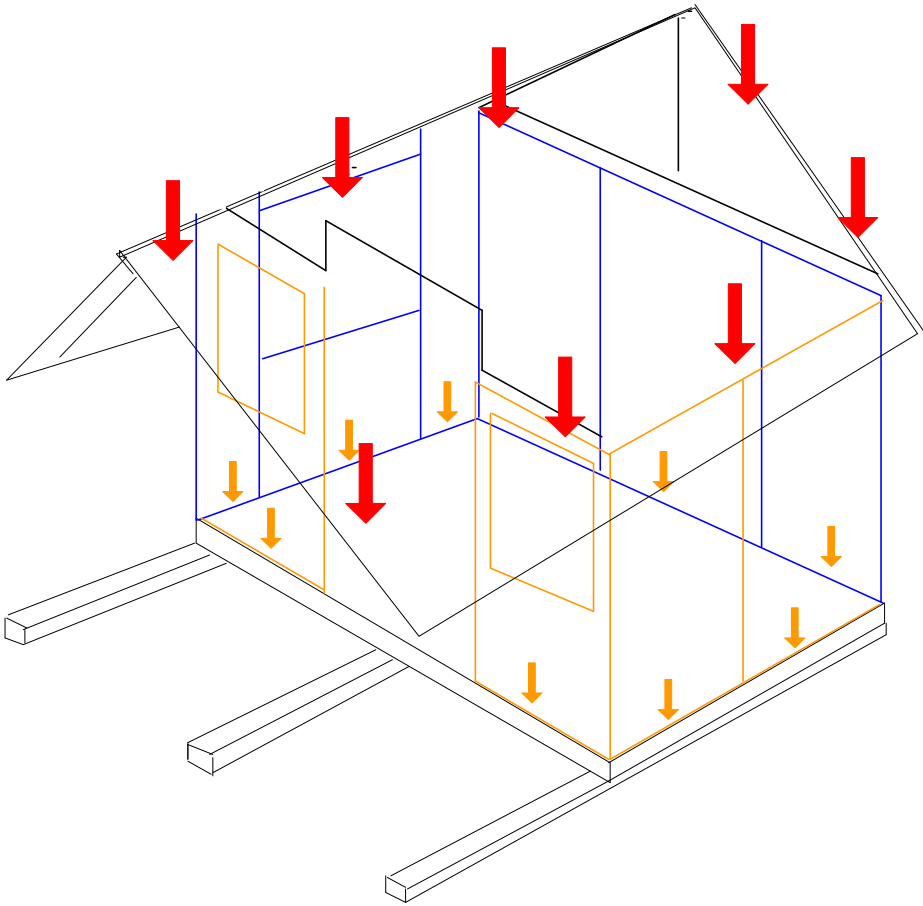
#### Step 4

Set the end gables on top of the front and back wall.

Fasten them in place.

Fasten the 2 rafters together and set them halfway on the side walls

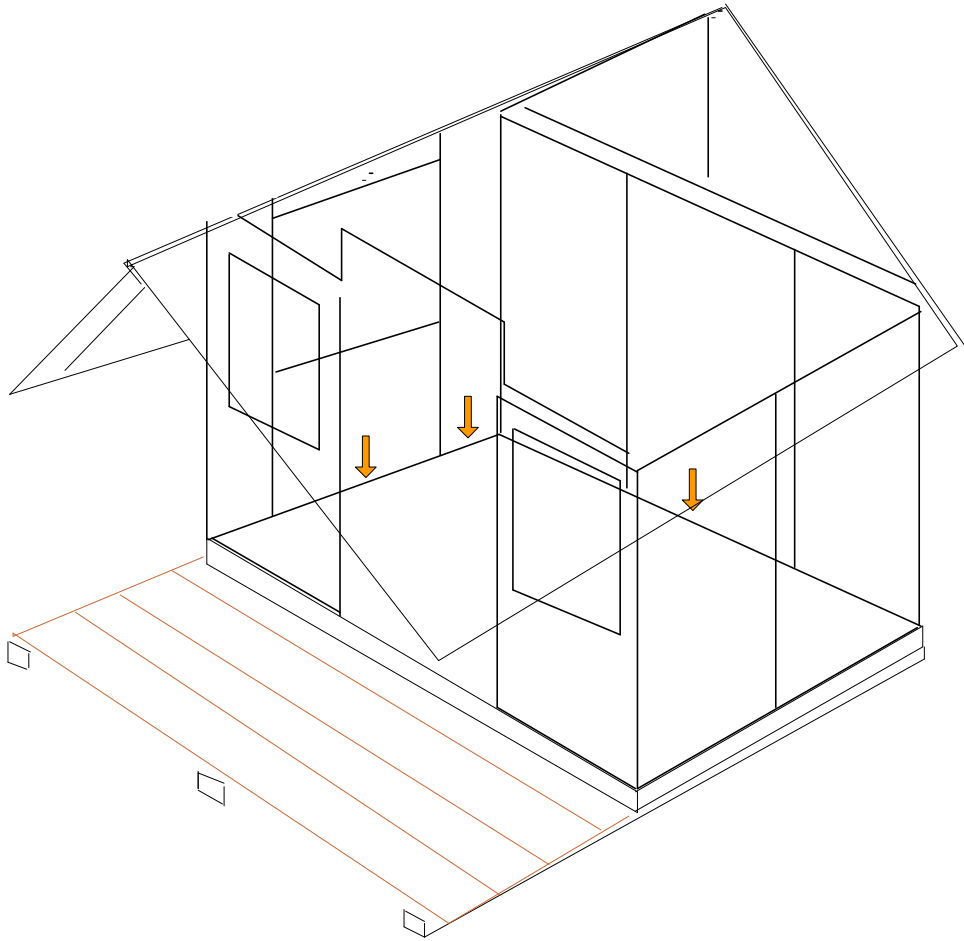
( Hint: above the side window)



Step5

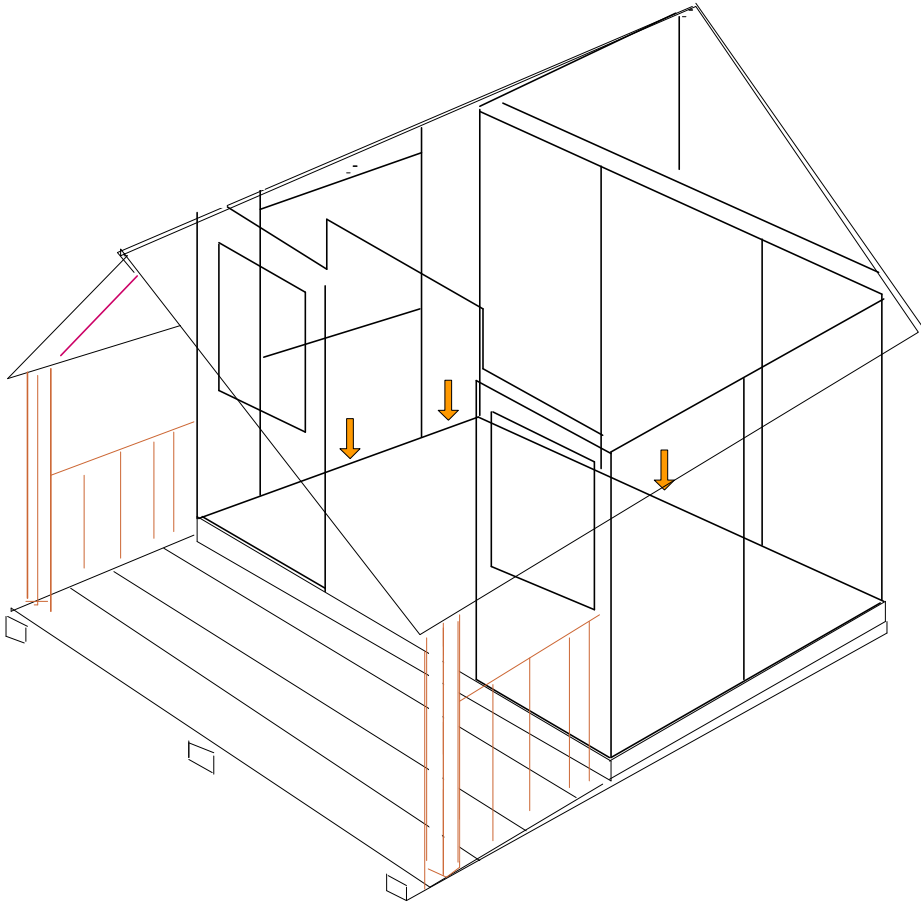
Set the roof panels on top. Fasten them in place where shown.





## Step 6

Set the cedar deck in place. You can fasten it down into the garden ties.



- Step 7
- .Use the railing assembly to set the distance for the posts.
  - .Set the posts in place
  - .Use the last truss and set it on top of the post to support the roof
  - .Nail everything and cap the railing

## Finishing the playhouse

You've now completed the playhouse shell. You will need to install the windows , the door and the trims all around.

- 1) **Installing the windows.** Place the appropriate window in it's opening. Make sure the front windows are opening towards the outside.  
Move the window from side to side until it fit nicely in the frame. Use a finishing nail at the top to set it in place. Open the shutter and nail the sides into the wall.  
Repeat for all windows.
- 2) **Install the door.** Set the door in place. Move it from side to side to adjust it in the frame until it sits evenly all around. Use a finishing nail to the top to stop the side to side movement. Nail the door frame to the walls to secure the door. Install the shelf, the handle and the latch.
- 3) **Trims** Set the scalloped trims in place starting with the front angled pieces.  
Place the first one 1/2" from the edge of the roof plywood. Set it in place using finishing nails through the roof.  
Place the other angle piece to match, and repeat the fastening.  
Take the straight side trims and connect them with the ones you just installed at the front. Nail these ones into the end of the rafters.  
Finish the back fo the house the same way as the front. Done!
- 4) **Corner trims, Joining strips.** You're almost there! The corner pieces are easy to set. Just use small finishing nails. The joining strips go above the front windows and the door as well as on the back wall.
- 5) Flower boxes can be set on the deck or fasten to the walls.

**Congratulation you're done!**